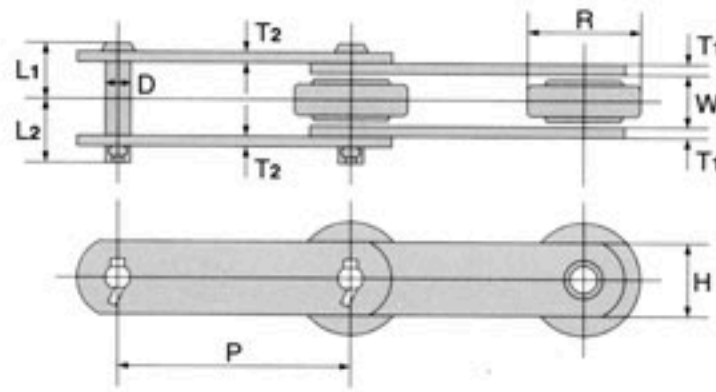


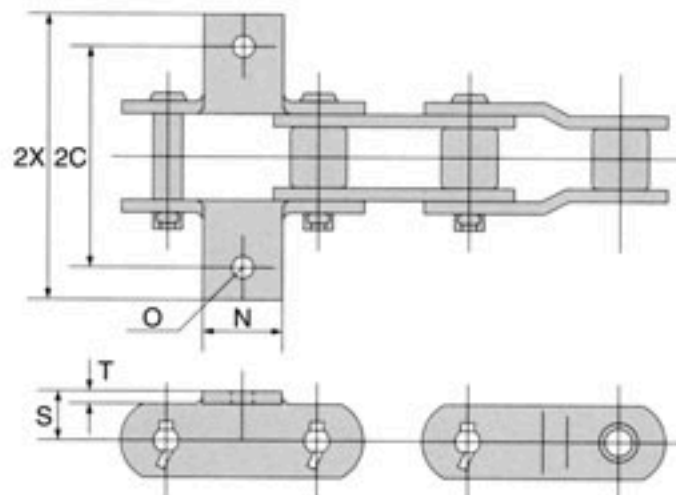
# CONVEYOR CHAIN



(mm)

Chain No.	P	W	R	D	L1	L2	H	T1	T2	Average Tensile Strength kg	Weight kg/m
HF 9503-S	76.7	30	29	14.5	33	36	38.1	6.3	6.3	11,500	9.4
HF 90R-S	101.6	21.4	47.6	11.32	25	28.5	31.8	4.8	4.8	8,200	6.1
HF 94R-S	101.6	30	50.8	14.5	33	36	38.1	6.3	6.3	11,500	9.7
S 150040R-S	101.6	18.4	47.6	11.3	25	28.5	38.1	6.3	4.8	11,500	6.8
HF 604R-S	152.4	30	50.8	14.5	33	36	38.1	6.3	6.3	11,500	7.8
HF 05100 R	100	22	40	11.3	25	28.5	32	4.5	4.5	7,000	5.0

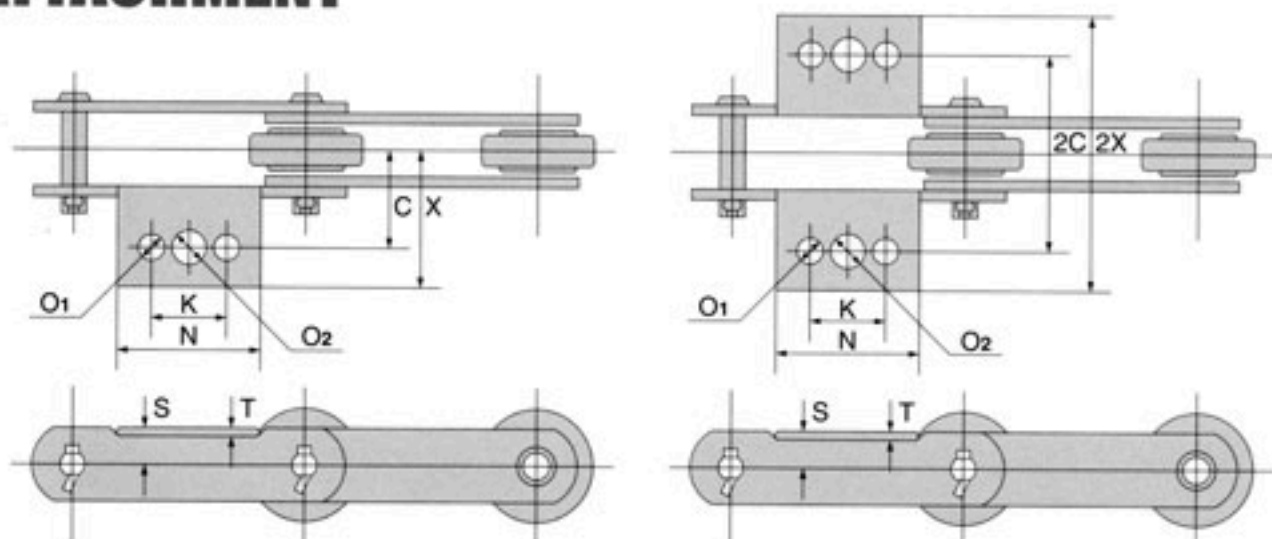
## HF 9503S K-1 ATTACHMENT



(mm)

Chain No.	2C	2X	N	O	S	T
HF 9503-S	111.1	145	40	12	25.4	6.3

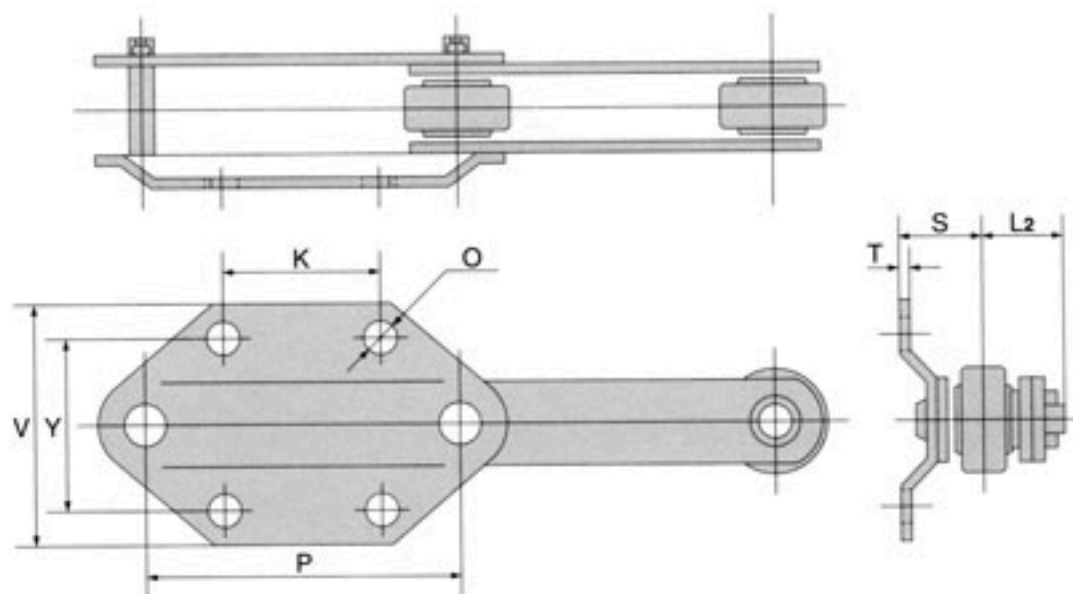
## A-2/K-2, A-3/K-3 ATTACHMENT



(mm)

Chain No.	C	X	K	N	O1	O2	S	T	Remarks
HF 90R-S	44.5	62	31.8	63.5	10.7	13.9	15.9	4.8	A3, K3
HF 94R-S	44.5	62	31.8	63.5	10.7	—	19.1	6.3	A2, K2
HF 604R-S	50.8	67.5	50.8	90	12	—	19.1	6.3	A2, K2

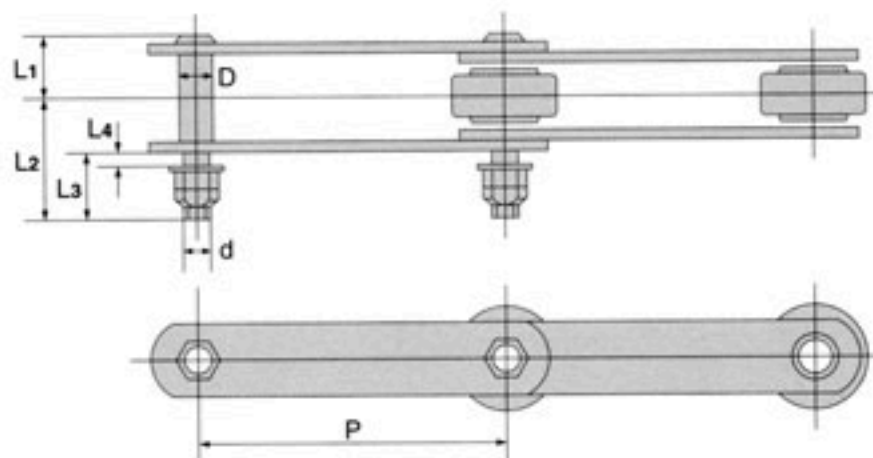
# G-4 ATTACHMENT



Chain No.	P	K	Y	V	O	S	L2
HF 604R-S	152.4	75	80	116	14	38.5	36

(mm)

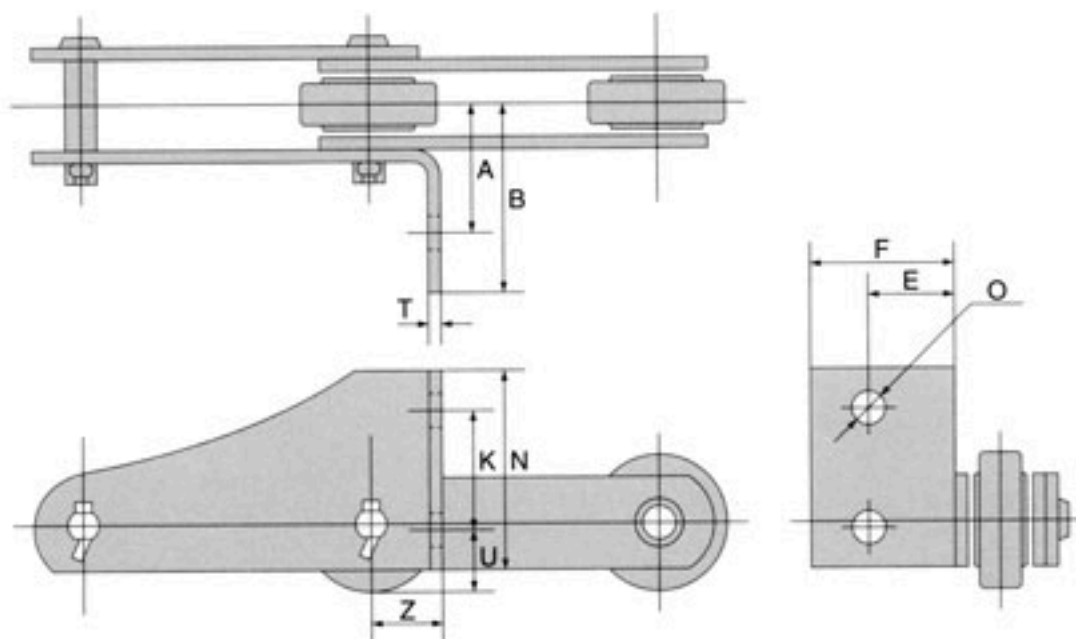
# D-3 ATTACHMENT



Chain No.	P	D	d	L1	L2	L3	L4
HF 94R-S	101.6	14.5	M12	33	63	34	7
HF 604R-S	152.4	14.5	M12	33	63	34	7
HF 9503-S	76.7	14.5	M12	33	63	34	7

(mm)

# LA-2 ATTACHMENT



Chain No.	A	B	Z	T	K	N	O	E	F	U
HF 90R-S	50.8	70	23.5	4.8	40	70	12	34.3	53.5	22.9

(mm)